



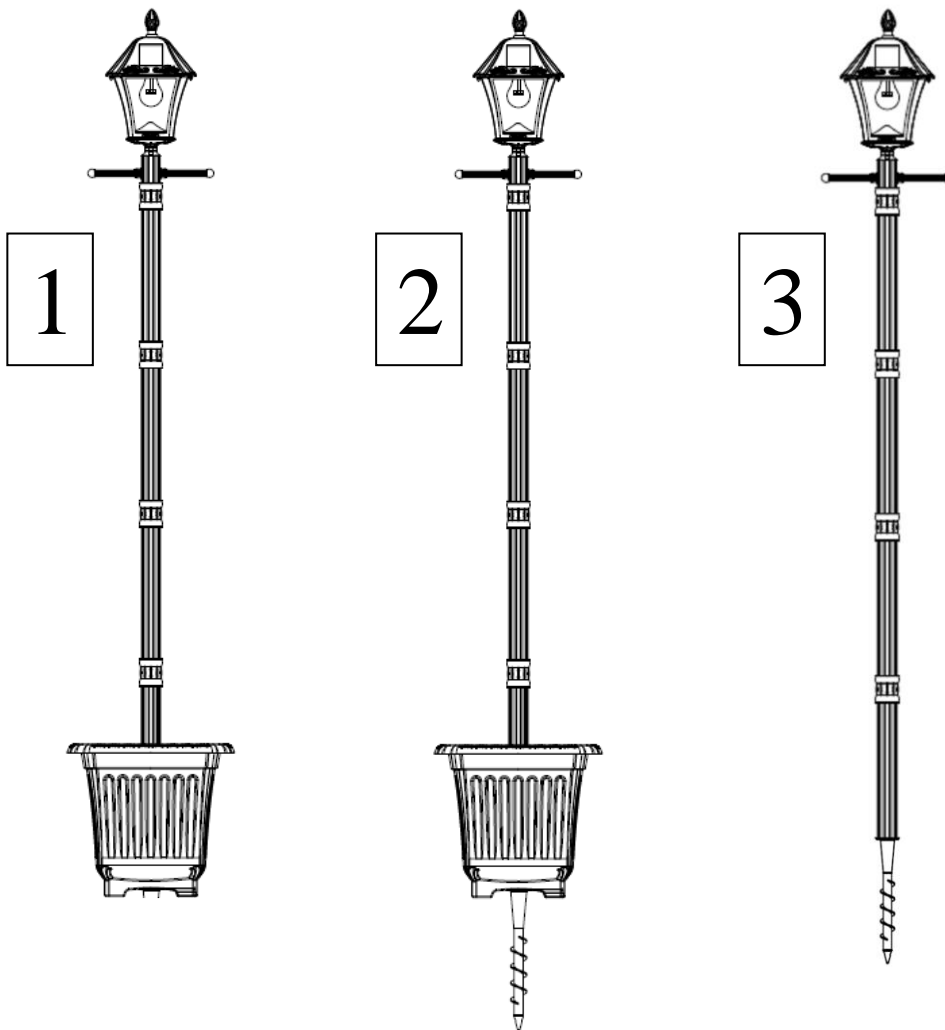
**BAYTOWN BULB
SOLAR LAMP POST WITH
PLANTER AND EZ ANCHOR**

US Patent # 7172307
US Patent # 9458970

Instruction Manual

Model: GS-106B-PLSG

3 mounting options:



Introduction

Thank you for your purchase. **GAMA SONIC®** solar charged accent lighting eliminates the problems associated with most solar lighting available today. **GAMA SONIC®** solar charged lights are brighter and last all night with a typical solar charge. Unique design, superior light output and numerous installation options confirm the outstanding value of our product.

GAMA SONIC® has been recognized as a worldwide leader in the lighting industry for over 20 years. The company also offers unique multi-purpose rechargeable products that range from party lights to emergency lighting products.

For technical assistance and more information call our Toll Free number: 800-835-4113 (only within the US) or visit our website at:

www.gamasonic.com.

Visit our website or download the latest version of your instruction manual:

www.gamasonic.com Or www.gamasonic.com/user-guides

Please read the instruction manual carefully to obtain the best results from your purchase.

Tools that are needed but not supplied with the solar post lamps are: a screw driver.

Solar Lamp Post Location

For optimum light duration throughout the night, it is very important to place your solar lamp in a spot where it will receive the maximum amount of direct sunlight throughout the day.

NOTE: For best results, allow the solar lamp to be charged for two consecutive sunny days in the “ON” position.

Operation Instructions

1. Remove the Top part (B) from Body part (C) by unscrewing the 2 screw caps. Turn the operation switch (Fig. 1) to either High or Low position according your preferences. The Solar Lamp will automatically operate dusk to dawn.
2. Install the new GS Solar LED Light Bulb by turning it into the bulb socket located at the top of the light clockwise.

NOTE: When installing the GS Solar LED Bulb, hold it from its silver base not by the glass [Fig.2]

3. Reattach the Top part (B) to the Body part (C) and secure with the 2 screw caps.

Fig 1

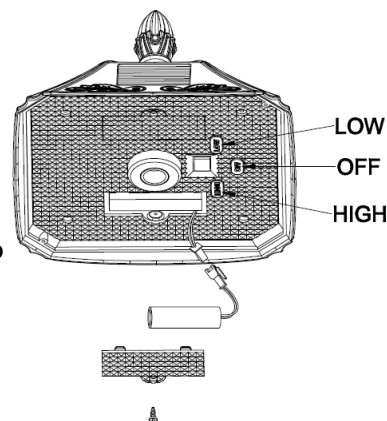
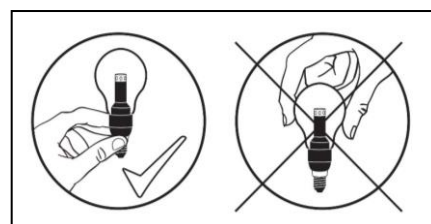


Fig 2



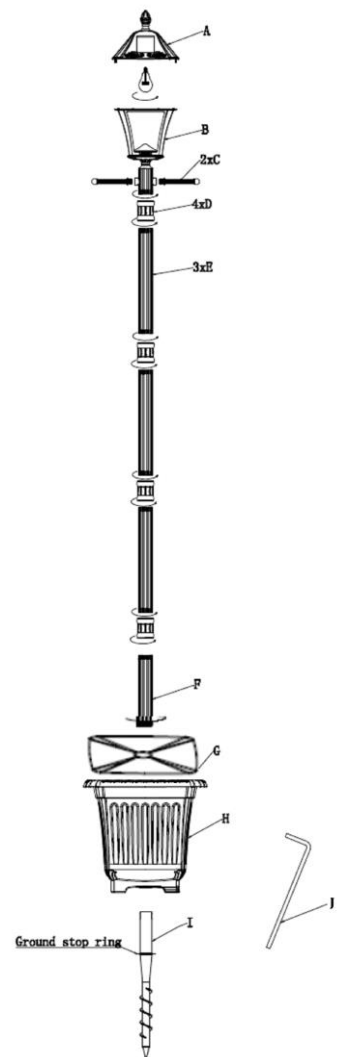
1 Planter Installation Instructions - without the EZ Anchor

1. Place part (G) inside the planter, part (H)
2. Insert part (F) through the center circle of part (G) and screw into the bottom of the planter.
* Please note, part (F) has its bottom part painted.
3. Screw part (D₁) onto part (F) then screw part (E₁) into part (D₁).
4. Screw part (D₂) onto part (E₁) then screw part (E₂) into part (D₂).
5. Screw part (D₃) onto part (E₂) then screw part (E₃) into part (D₃).
6. Screw part (D₄) onto part (E₃) then screw parts (A+B) into part (D₄).
7. Screw parts (C) x 2 into part (B).

2 + 3 EZ Anchor Installation Instructions

1. Insert the Turning bar in the hole through the Auger stake.
2. Place Auger in desired location and apply downward pressure while turning the Turning bar clock wise.
3. Occasionally check the Auger Level Tool to ensure your digging is straight.
4. Stop turning once the ground stop ring has reached ground level.
5. Remove the Turning Bar.

Auger Level Tool



2 Only - Place the Planter on top of the anchor.

2 + 3 Lamppost assembly:

1. Screw part (D₁) onto part (F) then screw part (E₁) into part (D₁).
2. Screw part (D₂) onto part (E₁) then screw part (E₂) into part (D₂).
3. Screw part (D₃) onto part (E₂) then screw part (E₃) into part (D₃).
4. Screw part (D₄) onto part (E₃) then screw parts (A+B) into part (D₄).
5. Screw parts (C x 2) into base of part (B).

Placing the Lamp on top of the Anchor:

1. Unscrew the two screws from part (F).
2. Place the assembled lamp on top of the Auger stake
3. Secure part (F) to part (G) using the two screws.

Replacing the Batteries

(After several years of use, the battery may need replacing).

1. Unscrew the two screw caps and detach part (A) from part (B). Make sure the ON/OFF switch is in the OFF(O) position.
2. Unscrew the battery compartment screw located on the silver reflector and remove the compartment door.
3. Unclip the connector and remove the old battery. Make sure the new battery is high quality 3.2V/1,500mAh Li-ion Rechargeable battery with connector.
4. Clip on new battery and install into the battery compartment. Screw back battery compartment screw.
5. Reattach part (A) to part (B) and secure with the 2 screw caps.

Replacement batteries are available at www.gamasonic.com
or via our Toll free number: +1-800-835-4113

WARNING: Do not dispose of Li-Ion battery in the regular trash, municipal waste stream or by fire as batteries may leak or explode. Do not open, short circuit, or mutilate batteries as injury may occur. Preserve our environment by recycling Li-Ion batteries or disposing of them in accordance with local, State and federal regulations. Do not mix old and new batteries.

Maintenance

Clean the solar panels regularly with a damp towel to guarantee optimum performance. Do not use any type of solvent for cleaning and be careful not to put too much pressure on the solar panels while cleaning.

Trouble Shooting

If your solar charged light does not come on at dusk despite observance of all the instructions, please try the following steps:

1. Make sure that the solar lamp is not being affected by any other light source.
2. Ensure the solar lamp is not positioned in the shade during the day.
3. Make sure the switch on the lamp head is in either the Low or High position.
4. Check that the batteries are installed correctly.

NOTE: The performance of the solar lamp will vary with the time of year. It will deliver brighter light when it has had a full day in the sun rather than a day in overcast weather.

WINTERTIME TIPS: For optimal performance, be sure to remove any snow or debris accumulation from solar panel(s). A solar panel free of debris will charge the batteries much more efficiently.

WARNING: Please keep out of reach of children.

